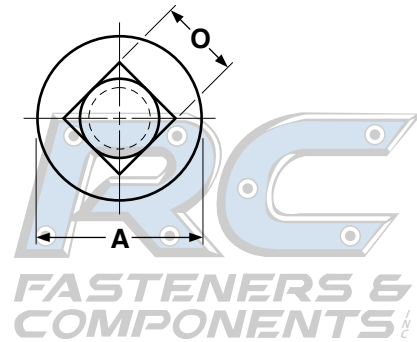
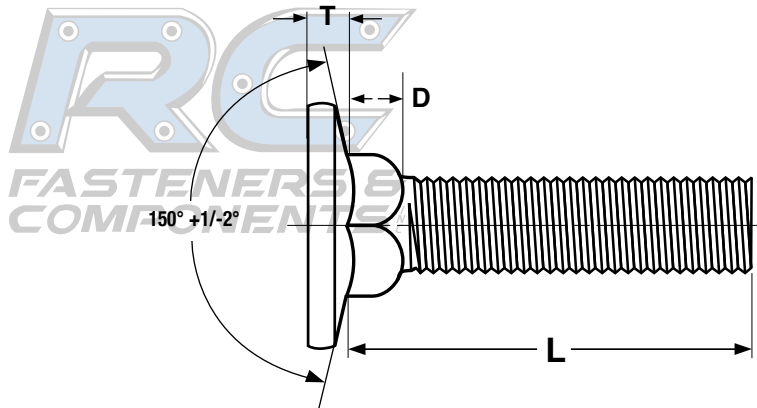


# Bolts & Cap Screws

# Flat Head Carriage Bolts

Low Carbon  
& Grade-5

FASTENERS & COMPONENTS



## FLAT HEAD CARRIAGE BOLTS, SQUARE NECK

Bolt Diameter & Thread Pitch	Head Diameter		Head Height		Square Width		Square Depth	
	A		T		O		D	
	Max	Min	Max	Min	Max	Min	Max	Min
1/4-20	.640	.590	.098	.078	.260	.245	.156	.125
Tolerance on Length			+ 0.02, -0.04					

<b>Description</b>	A flat head bolt with a bearing surface that is countersunk to a 150° angle. Although flat, the head has a measurable side height causing it to protrude above its mating surface when it is completely tightened. Directly below the head is a square neck and a threaded section that has a unified thread pitch.
<b>Applications/ Advantages</b>	The square neck design keeps the bolt from turning as a nut is tightened. The flat head feature gives a lower profile on the front or top side of the fastening than a round head carriage bolt. Designed specifically, but not exclusively, for the garage door industry.
<b>Material</b>	Grade-2: AISI 1006 - 1025 steel Grade-5: AISI 1030 - 1055 steel
<b>Core Hardness</b>	Grade-2: Rockwell B80 - B100 Grade-5: Rockwell C25 - C34
<b>Tensile Strength</b>	Grade-2: 74,000 psi. min. Grade-5: 120,000 psi. min.
<b>Plating</b>	Flat head carriage bolts are usually supplied with a clear zinc finish.