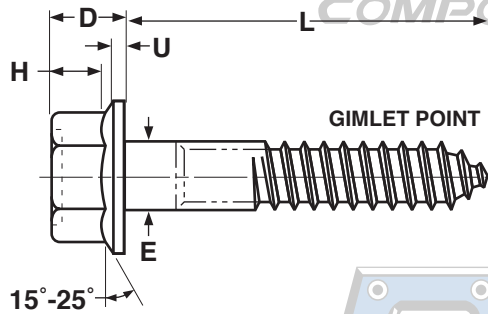
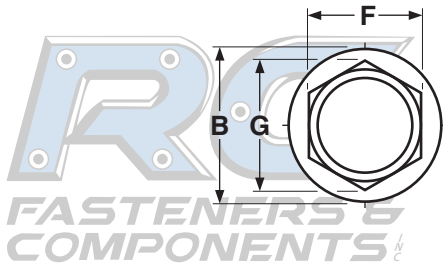


LAG SCREWS, HEX FLANGE **Steel, Hot-Dip Galvanized**



Length of a hex flange lag screw (L) is measured from the underhead bearing surface to the extreme end of the screw. Minimum thread length is 1/2 length of the screw plus 0.50 inch or 6 inches, whichever is shorter.

| HEX FLANGE LAG SCREWS | | | | | | | | | | | |
|-----------------------|------------------|---------------|-------|--------------------|-------|-----------------------|-------|--------------|-------------------|---------------|---------------|
| Nominal Size | Threads per Inch | E | | F | | G | | B | U | D | H |
| | | Body Diameter | | Width Across Flats | | Width Across Corners | | Flange Diam. | Flange Thick-ness | Head Height | Wrench Height |
| | | Max | Min | Max | Min | Max | Min | Max | Min | Max | Min |
| 1/4 | 10 | 0.260 | 0.237 | 0.375 | 0.367 | 0.433 | 0.409 | 0.56 | 0.04 | 0.28 | 0.17 |
| 5/16 | 9 | 0.324 | 0.298 | 0.500 | 0.489 | 0.577 | 0.548 | 0.68 | 0.05 | 0.32 | 0.21 |
| 3/8 | 7 | 0.388 | 0.360 | 0.562 | 0.551 | 0.650 | 0.618 | 0.81 | 0.06 | 0.39 | 0.25 |
| 1/2 | 6 | 0.515 | 0.482 | 0.750 | 0.736 | 0.866 | 0.825 | 1.07 | 0.08 | 0.51 | 0.34 |
| Tolerance on Length | | | | Nominal Bolt Size | | Nominal Bolt Length | | | | | |
| | | | | | | Up to 6 inches, incl. | | | | Over 6 inches | |
| | | | | 1/4 thru 1/2 | | ± 0.12 | | | | ± 0.25 | |

| | |
|---------------------------------|--|
| Description | A one-piece hex-washer head screw with a flat bearing surface, spaced threads and a gimlet point. |
| Applications/ Advantages | Useful in constructing decks and also popular in timber assembly. Preferred by some over traditional lag screws because flat washers are not required. Galvanized finish offers resistance to corrosion. |
| Material | AISI 1006 - 1022 or equivalent steel |
| Hardness | Rockwell B70 - B100 |
| Tensile Strength | 60,000 psi. minimum |
| Coating | Hex Flange Lag Screws are typically supplied with a hot-dipped galvanized finish. See Appendix-A for more information.. |