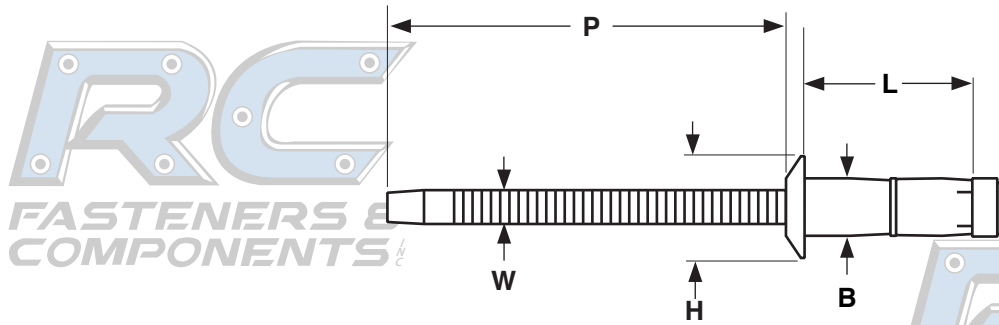


# Rivets

# Stainless High Strength, Double Locking

Orlock® brand,  
Dome Head

FASTENERS & COMPONENTS



DOME ORLOCK® STAINLESS HIGH STRENGTH BLIND RIVETS										Ornit	
Nominal Rivet Diameter & Material	Part Number	L	Grip Range	W	B	Recommended Hole Size	H	D	Typical Tensile Strength (Kgf.)	Typical Shear Strength (Kgf.)	
		Rivet Length (±.012)		Mandrel Nail Diameter (+.003, -.002)	Body Diameter (±.002)		Head Height (±.008)	Head Diameter (±.012)			
1/4 Stainless/ Stainless	LN64105P	.413	.078 - .177	0.165	0.251	0.259 - 0.263	0.118	0.512	850	1440	
	LN64125P	.491	.157 - .256							0.255 - 0.259	1480
	LN64145P	.570	.196 - .334			0.255 - 0.259					1480
	LN64165P	.648	.275 - .413								
	LN64185P	.727	.353 - .492			0.255 - 0.259				1480	

<b>Description</b>	A blind fastener with a self-contained mandrel. The body of the rivet has a dome-shaped head and a shank which tapers slightly where it meets the mandrel head. The mandrel is designed with two sets of longitudinal grooves that provides internal friction at both ends of the fastening. The section of the mandrel that protrudes above the head of the rivet has circumferential serrations that helps the tool to grip the mandrel during installation. This top portion of the mandrel ultimately breaks away once the rivet has been installed.
<b>Applications/ Advantages</b>	The double-locking system ensures that the mandrel remains tightly fitted within the rivet body, rendering it highly resistant to vibration and water. The internal friction system with differential force load provides maximum clamp-up without deforming the materials being gripped. This rivet is designed for environments where a balance of resistance to corrosion and vibration exists.
<b>Material</b>	<i>All Stainless</i> <b>Rivet Body:</b> Austenitic Stainless AISI 304 Cu <b>Mandrel:</b> Austenitic Stainless AISI 304 Cu
<b>Shear Strength</b>	Typical shear strengths are listed in the above table.
<b>Tensile Strength</b>	Typical tensile strengths are listed in the above table.

Orlock® is a registered trademarks owned by Ornit.