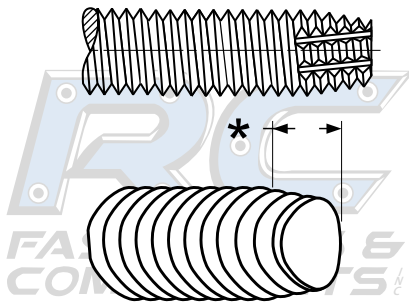


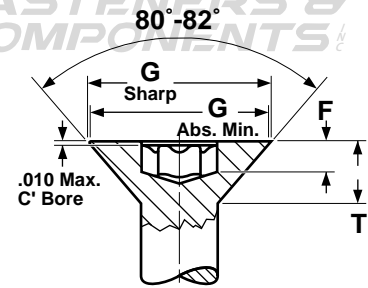
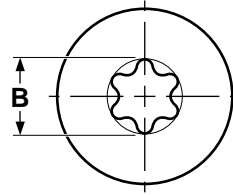
Type-F

Floorboard Screws

Self-Tapping Screws



*2-3 Pitch Lead Length



TORX® DRIVE FLAT HEADS (FLOORBOARD)

Camcar

Nominal Size or Basic Screw Diameter	G		T	B	F		Drive Size	
	Head Diameter		Head Height	Recess Diameter	Gauge Penetration			
	Max Sharp	Abs. Min	Ref	Ref	Max	Min		
6 (U-Cut)	.138	.279	.244	.059	.111	.028	.024	T10
8	.164	.332	.292	.100	.132	.054	.045	T15
10	.190	.385	.340	.116	.155	.064	.053	T20
12	.216	.438	.389	.132	.178	.073	.061	T25
1/4	.2500	.520	.452	.160	.221	.104	.085	T30
5/16	.3125	.648	.568	.199	.266	.109	.090	T40
3/8	.375	.762	.685	.230	.266	.109	.090	T40
1/2**	.500	.875	.775	.223	.352	.144	.120	T50

**1/2 inch diameter floorboard screws are supplied as trilobular thread rolling screws.

Description	A countersunk, torx® drive thread cutting screw with machine screw thread pitch, blunt point, tapered entering threads, and multiple cutting edges. Larger diameter sizes may also be supplied as a thread rolling screw rather than thread cutting. Floorboard screws are, by definition, available in much longer sizes than standard type-F screws.
Applications/ Advantages	Floorboard screws are specifically designed for installing wood floors into truck trailers.
Material	AISI 1016 - 1024 or equivalent steel
Heat Treatment	Screws shall be quenched in liquid and then tempered by reheating to 650°F minimum.
Surface Hardness	Rockwell C45 minimum
Case Depth	No. 8 thru 12 diameter: .004 - .009 1/4" diameter & larger: .005 - .011
Core Hardness (after tempering)	Rockwell C28 - 38
Thread Dimensions	#8 thru 3/8" diameters: Same as those for Type-F thread cutting screws. 1/2" diameter: Same as those for a thread rolling screw.
Plating	See Appendix-A for information on the plating of floorboard screws.

® Torx is a registered trademark of the Camcar Corporation, division of Textron Industries.

® Taptite II is a registered trademark of REMINC (Research Engineering & Manufacturing Inc.).