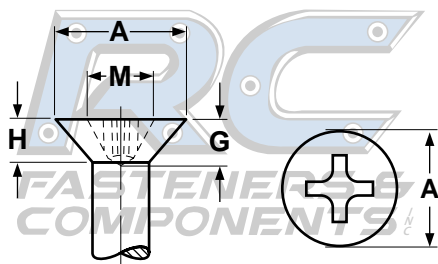


# High-Low Style

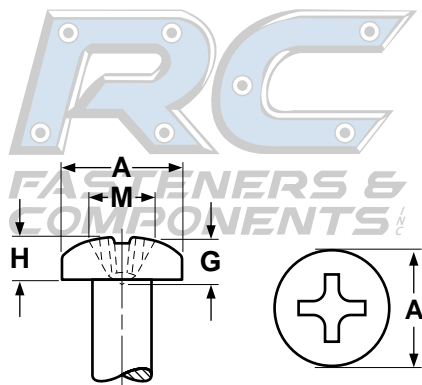
# Head Dimensions

# Self-Tapping Screws

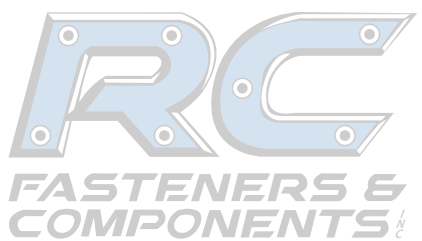


Nominal Size	A		H	M		G		Driver Size
	Head Diameter		Head Height	Recess Diameter		Recess Penetration Gaging Depth		
	Max	Min	Ref	Max	Min	Max	Min	
2	.162	.144	.051	.102	.089	.056	.040	1
4	.212	.191	.067	.128	.115	.082	.066	1
6	.262	.238	.083	.174	.161	.095	.072	2
8	.312	.285	.100	.189	.176	.110	.087	2
10	.362	.333	.116	.204	.191	.125	.102	2
12	.412	.380	.132	.268	.255	.139	.116	3
1/4	.477	.442	.153	.283	.270	.154	.131	3

Undercut Flat head High-Low screws conform to ASME B 18.6.4 specifications (see page 8).



Nominal Size	A		H		M		G		Driver Size
	Head Diameter		Head Height		Recess Diameter		Recess Penetration Gaging Depth		
	Max	Min	Max	Min	Max	Min	Max	Min	
2	.167	.155	.062	.053	.104	.091	.052	.034	1
4	.193	.180	.071	.062	.112	.099	.061	.043	1
5	.219	.205	.080	.070	.122	.109	.071	.053	1
6	.254	.240	.097	.087	.158	.145	.072	.046	2
7 & 8	.270	.256	.097	.087	.166	.153	.080	.055	2
10	.322	.306	.115	.105	.182	.169	.097	.071	2
12	.373	.357	.133	.122	.199	.186	.113	.089	2
1/4	.492	.473	.175	.162	.281	.268	.144	.118	3



Nominal Size	A		T		J		H		F		U	
	Width Across Flats		Slot Depth		Slot Width		Height of Head		Diameter of Washer		Thickness of Washer	
	Max	Min	Max	Min	Max	Min	Max	Min	Max	Min	Max	Min
4	.125	.120	-	-	-	-	.055	.044	.177	.163	.016	.010
6	.187	.181	.049	.030	.043	.035	.070	.058	.260	.240	.025	.015
8	.250	.244	.053	.033	.048	.039	.093	.080	.328	.302	.025	.015
10	.250	.244	.074	.052	.054	.045	.110	.096	.348	.322	.031	.019
12	.312	.305	.103	.077	.067	.056	.155	.139	.432	.398	.039	.022
1/4	.375	.367	.111	.083	.075	.064	.190	.172	.520	.480	.050	.030
5/16	.375	.367	.111	.083	.075	.064	.190	.172	.520	.480	.050	.030

