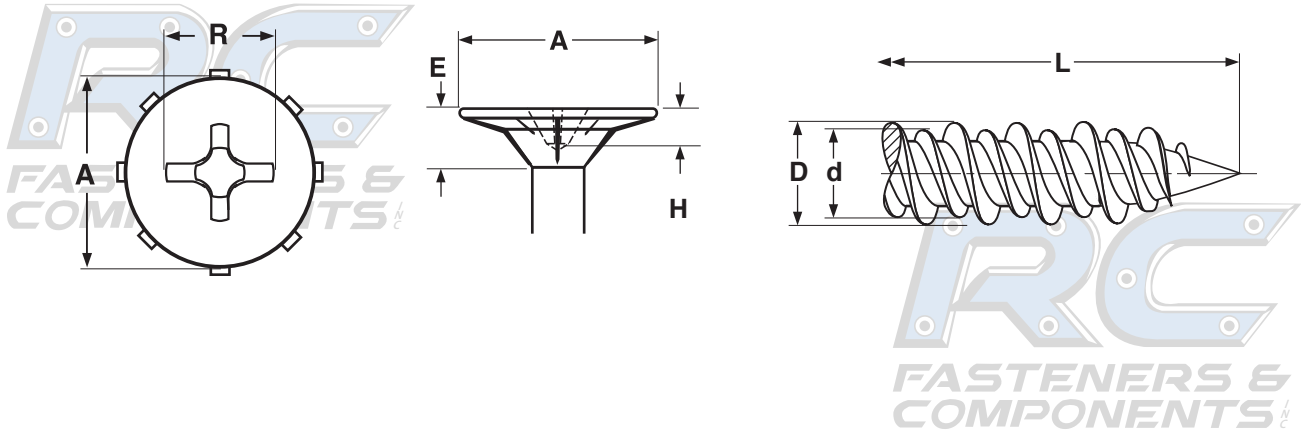


**Wafer Head with Nibs** **HIGH-LOW SCREWS, SHARP POINT**



<b>WAFER PHILLIPS WITH 8 NIBS* SHARP POINT HIGH-LOW SCREW</b>										
Nominal Screw Size & Threads per Inch	E	A		R	H		d	D		Driver Size
	Head Height	Head Diameter		Recess Diameter	Recess Penetration Depth		Low Thread Major Diameter	High Thread Major Diameter		
	Ref	Max	Min	Ref	Max	Min	Ref	Max	Min	
8-15	0.172	0.414	0.388	0.182	0.111	0.086	0.146	0.193	0.177	2
Tolerance on Length		Nominal Screw Diameter		All Lengths						
		8		± 0.059						

**NOTE:** Four long and four short nibs alternate around the underside of the Wafer head.

<b>Description</b>	A countersunk fastener with a flat head, 30° angled sharp point, and a double-lead, consisting of a high and low thread. The lower thread has a total diameter that is 30% to 50% less than the total diameter of the high thread. Eight equidistant nibs are on the underside of the head. Four long nibs that extend from the top edge to the shank alternate with four shorter nibs. The ceramic coating resists corrosion.
<b>Applications/Advantages</b>	For attaching cement board to wood studs. Screw should embed itself into the wood material at least 1/2 inch.
<b>Material</b>	AISI 1018-1022 or equivalent steel
<b>Heat Treatment</b>	Screws shall be quenched in liquid and then tempered by reheating.
<b>Surface Hardness</b>	Vickers HV 450 minimum
<b>Drive Torque</b>	21 Kg/cm minimum
<b>Plating</b>	Green Ruspert finish