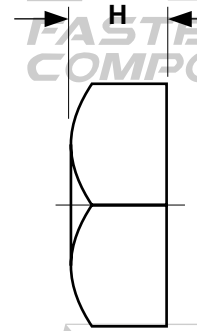
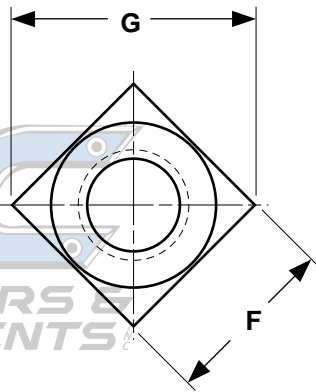


Regular
Style

Square

Nuts



REGULAR SQUARE NUTS

ANSI/ASME
B18.2.2

Nominal or Basic Major Diameter of Thread		F			G		H		
		Width Across Flats			Width Across Corners		Thickness		
		Basic	Max	Min	Max	Min	Basic	Max	Min
1/4	0.2500	7/16	0.438	0.425	0.619	0.554	7/32	0.235	0.203
5/16	0.3125	9/16	0.562	0.547	0.795	0.721	17/64	0.283	0.249
3/8	0.3750	5/8	0.625	0.606	0.884	0.802	21/64	0.346	0.310
7/16	0.4375	3/4	0.750	0.728	1.061	0.970	3/8	0.394	0.356
1/2	0.5000	13/16	0.812	0.788	1.149	1.052	7/16	0.458	0.418
5/8	0.6250	1	1.000	0.969	1.414	1.300	35/64	0.569	0.525
3/4	0.7500	1-1/8	1.125	1.088	1.591	1.464	21/32	0.680	0.632
7/8	0.8750	1-5/16	1.312	1.269	1.856	1.712	49/64	0.792	0.740
1	1.0000	1-1/2	1.500	1.450	2.121	1.961	7/8	0.903	0.847
1-1/8	1.1250	1-11/16	1.688	1.631	2.386	2.209	1	1.030	0.970
1-1/4	1.2500	1-7/8	1.875	1.812	2.652	2.458	1-3/32	1.126	1.062
1-1/2	1.5000	2-1/4	2.250	2.175	3.182	2.956	1-5/16	1.348	1.276

Description	A four-sided, internally threaded fastener with a flat bottom side and a chamfered, washer-crowned top.
Applications/ Advantages	Designed for use with square bolts.
Material	Nuts shall be made from a low carbon steel which conforms to the following chemical composition requirements--Carbon: 0.55% maximum; Phosphorus: 0.12% maximum; Sulfur: 0.23% maximum.
Hardness	Rockwell B68 - C32
Proof Load	90,000 psi.
Plating	See Appendix-A for plating information.