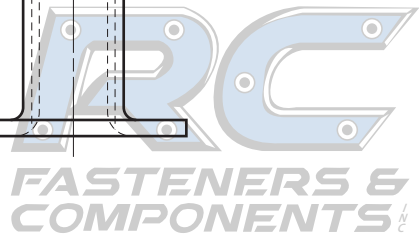
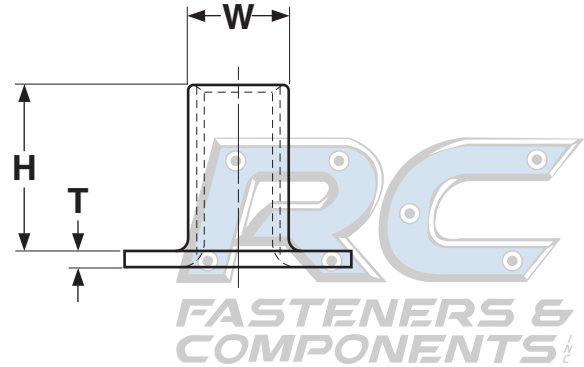
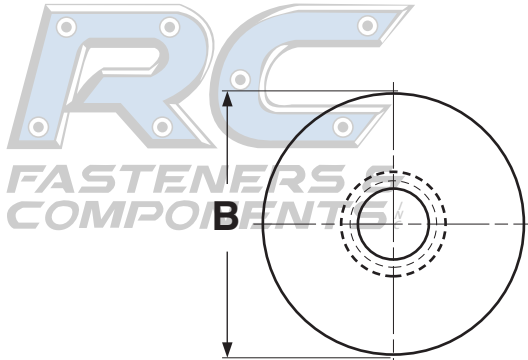
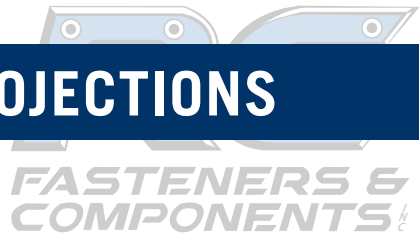


PLAIN ROUND BASE - WITHOUT PROJECTIONS



ROUND BASE WELD NUTS WITHOUT PROJECTIONS									
Part Number	Thread Size	H		W		B		T	
		Barrel Height		Barrel Diameter		Base Diameter		Material Thickness	
		Max	Min	Max	Min	Max	Min	Max	Min
0604NWR	6-32	.281	.219	.177	.147	.594	.531	.039	.009
0804NWR	8-32	.281	.219	.224	.194	.750	.688	.046	.016
10093NWR	10-24	.312	.250	.258	.228	.781	.719	.054	.024
11093NWR	10-32	.312	.250	.258	.228	.781	.719	.054	.024
1405NWR	1/4-20	.344	.281	.320	.290	.781	.719	.062	.032
1407NWR	1/4-20	.469	.406	.320	.290	.781	.719	.062	.032
1409NWR	1/4-20	.594	.531	.320	.290	.781	.719	.062	.032

Description	Internally threaded barrel-shaped fasteners integrally formed with a circular, flat base.
Applications/ Advantages	An economical welding fastener for use in metal working or for use as a leveling device in appliances.
Material	Cold rolled steel