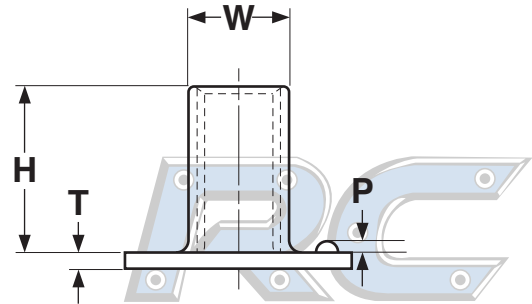
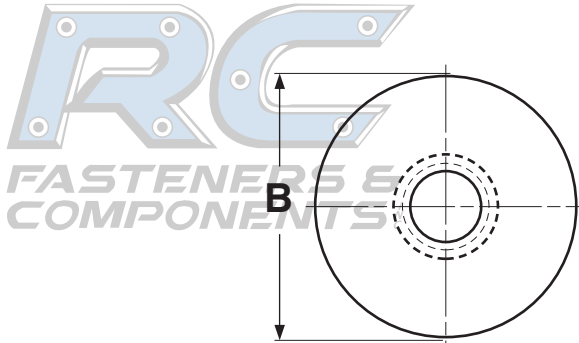


# ROUND BASE - WITH PROJECTIONS

FASTENERS & COMPONENTS



FASTENERS & COMPONENTS

ROUND BASE WELD NUTS WITH PROJECTIONS												
Part Number	Thread Size	H		W		B		N	P		T	
		Barrel Height		Barrel Diameter		Base Diameter		Projection Width	Projection Height		Material Thickness	
		Max	Min	Max	Min	Max	Min	± 1/32	Max	Min	Max	Min
0804NWRP	8-32	.281	.219	.224	.194	.750	.688	7/64	.046	.016	.046	.016
10093NWRP	10-24	.312	.250	.258	.228	.781	.719	7/64	.054	.024	.054	.024
11093NWRP	10-32	.312	.250	.258	.228	.781	.719	7/64	.054	.024	.054	.024
1405NWRP	1/4-20	.344	.281	.320	.290	.781	.719	7/64	.054	.024	.062	.032
1407NWRP	1/4-20	.469	.406	.320	.290	.781	.719	7/64	.054	.024	.062	.032

FASTENERS & COMPONENTS

FASTENERS & COMPONENTS

<b>Description</b>	Internally threaded barrel-shaped fasteners integrally formed with a circular, flat base that has three dome-shaped protrusions on its top side.
<b>Applications/ Advantages</b>	An economical welding fastener used when it is necessary to restrict the nut from rotating when tightened.
<b>Material</b>	Cold rolled steel

FASTENERS & COMPONENTS